

# FHA1



## Flexible Hose Assemblies

Stainless steel braided hose

# FHA1

The fire-rated hose assembly has a braided stainless steel outer band with EPDM inner tube and brass or steel fittings without any o-rings.



## Key features

- > Premium Grade EPDM  
Provides maximum protection from ozone, weathering, heat and aging.
- > Extreme Flexibility  
Bend radius and kink resistance

## Technical description

**Application:**  
HVAC Systems

**Functions:**  
Flex Hose

**Dimensions:**  
1/2" - 2"

**Maximum working Pressure:**

- 1/2" - 400 WPSI Static
- 3/4" - 400 WPSI Static
- 1" - 400 WPSI Static
- 1 1/4" - 300 WPSI Static
- 1 1/2" - 300 WPSI Static
- 2" - 300 WPSI Static

**Max. Temperature:**  
-40°F to +212°F (250° F Intermittent)

**Connections:**  
**Fixed:** Male NPT  
**Swivel:**  
 JIC x Male Adapter  
 JIC x Female NPT Adapter  
 JIC x Sweat Adapter  
 JIC x Female NPSH Adapter

**Material:**  
 Inner Core: EPDM Ethylene Propylene Diene Monomer  
 Outer Braid: Stainless Steel (AISI 302/304)  
 Ferrule: Stainless Steel 1/2" - 2"  
 Wetted Parts: EPDM, Brass, Stainless 1/2" - 2" I.D.

**Gasket (NPSH):** EPDM

## Articles

### Nominal Dimensions / Cv Rates

Size	Figure	*Standard Lengths	Shortest Length	Minimum Bend Radius	Shortest Length 90° Bend	Cv		
						2'	3'	Additional Foot
1/2"	A	12", 18", 24", 36"	6"	2"	12"	3.8	3.5	9.0
3/4"	A	12", 18", 24", 36"	9"	2-1/2"	12"	13.0	11.7	27.0
1"	A	12", 18", 24", 36"	9"	3"	15"	22.5	20.5	50.0
1 1/4"	A	24" or 36"	11"	*4-1/2"	15"	30.7	29.2	95.0
1 1/2"	A	24" or 36"	11"	*6"	18"	57.2	54.3	160.0
2"	A	24" or 36"	18"	*8-1/2"	24"	60.1	59.3	350.0

#### Notes

\* Non-Standard lengths are "Special Order". Please consult factory for lead time and availability.

Hose size denotes ID of hose.

Cv calculation are based on straight hose.

All dimensions given are in inches and are subject to minor changes.

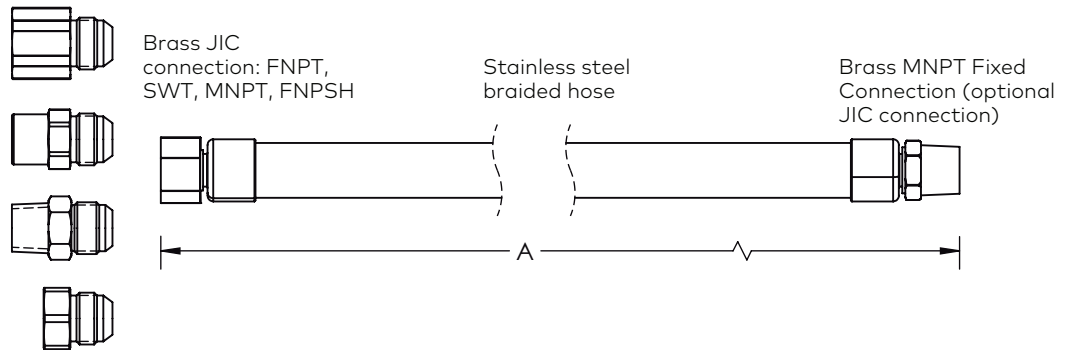
All hoses measured end to end.

Bend radius starts 1 1/2 times hose O.D. from the end of the ferrule.

#### Warranty

"Limited Warranty" • 36 months - hoses and components (From the ship date to the Original User)

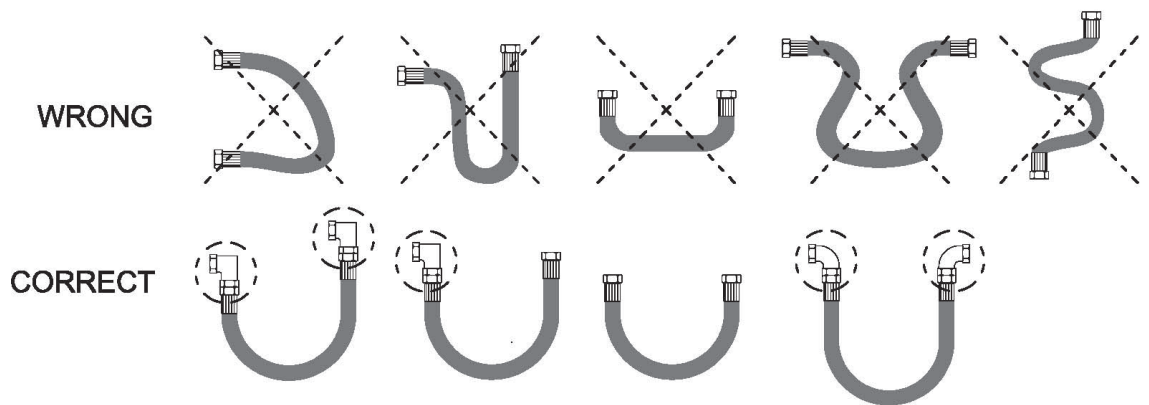
#### Actual Length



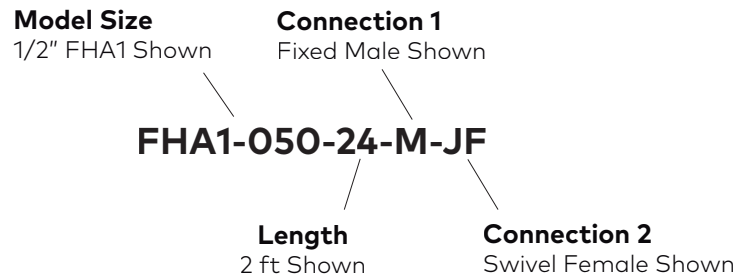
## Bend Radius

### Specifications

Hose Size	Minimum Bend Radius
1/2"	2"
3/4"	2 1/2"
1"	3"
1 1/4"	4"
1 1/2"	6"
2"	8 1/2"



## Model Order Designation



### Connections 1 and 2:

- Fixed:** M Male NPT
- Swivel:** JM JIC x MPT Adapter  
 JF JIC x Female NPT Adapter  
 JS JIC x Sweat Adapter  
 JH JIC x Female NPSH Adapter

