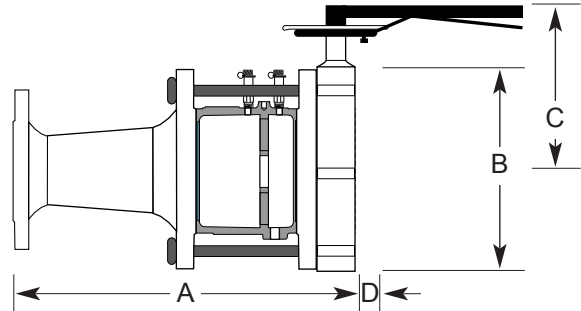




FLOW →



Model WR valve shown with standard extended pressure / temperature ports

**Product Information**

**Rating:** 225 psig at 250° F (1551 kPa at 120° C)

**Flow Regulator**

**Body:** Ductile Iron  
**Flow Cartridge:** Stainless Steel Wear Surfaces with Stainless Steel Spring

**Butterfly Valve**

**Body:** Cast Iron, Lug-Type ANSI Class 125/150  
**Seat & Gasket:** EPDM  
**Stem:** 416 Stainless Steel  
**Bearings:** Bronze Sleeve  
**Disc:** Aluminium / Bronze  
**Flanged Reducer:** ANSI Class 150 lb. Forged Steel

**Model WR** - is designed to attach directly to flanged ATC valves which are smaller than runout size. The regulator is factory set to automatically limit the specified flow to within ±5 percent over 95 percent of the control range. The flanged reducer, flow regulator and butterfly valve are shipped assembled. The maximum gpm flows for each size are shown below. Ten gpm reduced increments are available (i.e.: 3" (3-20) control range is available 200, 190, 180, 170, etc.). Extended pressure / temperature ports are standard.

**Butterfly Valve** - The lug-type butterfly valve has a 2" (50mm) extended neck for insulation. Units have a infinite-position handle and memory stop.

**Pressure Drop** - The pressure drop of the WR assembly is 3 psi or 6.9 ft. (690)Pa/m [3-20 range] plus the loss through the butterfly valve which can be calculated using the Cv (Kv) rates on the BF submittal (Form 215). The loss for other control ranges are shown in notes under the chart below.

*Dimensions not to be used for construction unless prints certified by factory.*

Model	Size in./(mm)	Dimensions				Maximum Flow gpm (lps)*			Max No. Cartridges	Weights lb. (kg)
		A	B	C	D	Control Range psi (kpa)				
		in./(mm)	in./(mm)	in./(mm)	in./(mm)	3-20 (21-138)	5-40 (34-276)	7-45 (48-310)		
WR0300 - 250 (-)	3.0 (80)	15.4 (109)	7.5 (191)	7.6 (193)	1.4 (36)	180 (11.4)	180 (11.4)	-	1	51 (6)
WR0400 - 250 (-)	4.0 (100)	17.0 (127)	9.0 (229)	8.4 (213)	1.6 (41)	180 (11.4)	180 (11.4)	-	2	82 (9)
WR0400 - 300 (-)	4.0 (100)	17.0 (173)	9.0 (229)	8.4 (213)	1.6 (41)	300 (18.9)	300 (18.9)	300 (18.9)	2	83 (18)
WR0600 - 300 (-)	6.0 (150)	19.0 (193)	11.0 (279)	9.6 (244)	1.8 (46)	300 (18.9)	300 (18.9)	300 (18.9)	4	115 (22)
WR0600 - 400 (-)	6.0 (150)	19.0 (219)	11.0 (279)	9.6 (244)	1.8 (46)	500 (31.5)	500 (31.5)	500 (31.5)	4	120 (27)
WR0600 - 500 (-)	6.0 (150)	19.0 (279)	11.0 (279)	9.6 (244)	1.8 (46)	750 (47.3)	750 (47.3)	750 (47.3)	4	121 (40)

**Notes**

The (-) in the model number must be replaced by: 3: 3-20 (21-138); 4: 5-40 (35-276) or 5: 7-45 (48-310).  
For pump head calculations, the following loss applies for each range: 6.9 ft. or 17 kpa (3-20); 11.6 ft. or 34.6 kPa (5-40); & 16.2 ft. or 48.4 kPa (7-45).  
\*All models can have reduced flows in 10 gpm increments.  
All weights and dimensions are subject to minor changes.  
Allow approximately one foot for clearance on butterfly valve/handle.

**Disclaimer**

The products, texts, photographs, graphics and diagrams in this submittal may be subject to alteration by FlowDesign Inc. without prior notice or reason being given.

Connections		
Model	Size	Connections
WR0300 - 250 (-)	3 (80)	2 1/2" Inlet & 3" Outlet
WR0400 - 250 (-)	4 (100)	2 1/2" Inlet & 4" Outlet
WR0400 - 300 (-)	4 (100)	3" Inlet & 4" Outlet
WR0600 - 300 (-)	6 (150)	3" Inlet & 6" Outlet
WR0600 - 400 (-)	6 (150)	4" Inlet & 6" Outlet
WR0600 - 500 (-)	6 (150)	4" Inlet & 6" Outlet