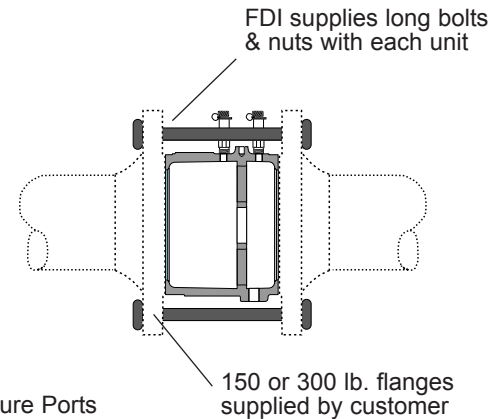
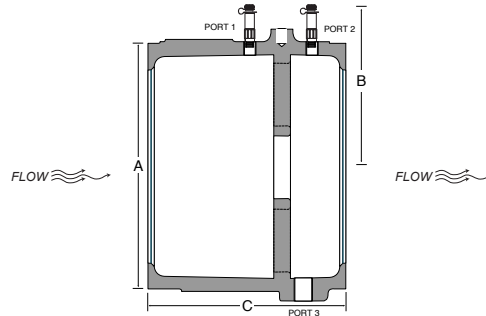
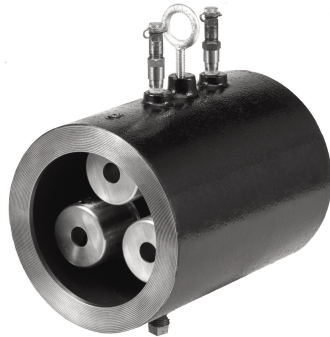


WS-1600

Submittal
 16" (Wafer-Style)
 Automatic Flow Control Valve

Form No.: F205.8 3.12
Supersedes: F205.7 1.12



Model WS shown with standard Extended Pressure / Temperature Ports

Product Information

- Body:** Fabricated Steel
- Flow Cartridge:** Stainless Steel Wear Surfaces with Stainless Steel Spring
- Rating:** 225 psig at 250° F (15 Bar at 120° C)

Model WS is a wafer-style AutoFlow regulator factory set to automatically limit the specified flow to within ± 5 percent over 95 percent of the control range. The number of flow cartridges required is determined by the gpm requested. The valve body is compatible with ANSI Class 150 flanges. Extended Pressure / Temperature Ports and drain plug are standard. Options limited to quantity of three (2 at 12:00 and 1 at 6:00) and are shipped loose for field installation. Companion flanges and gaskets are not included.

Dimensions not to be used for construction unless prints certified by factory.

Model	Dimensions				Maximum Flow gpm (Ips)*					Max No. Cartridges	Weights lb. (kg)
	Size	A	B	C	Control Range psi (kPa)						
	in./mm	in./mm	in./mm	in./mm	2-32 (14-220)	5-60 (35-414)	3-20 (21-138)	5-40 (35-276)	7-45 (48-310)		
WS1600(-)	16.0 (400)	20.0 (508)	14.8 (375)	17.2 (437)	*3105 (196)	3910 (246)	4600 (290)	5750 (362)	6900 (435)	23	360 (163)

Notes

The (-) in the model number must be replaced by: **1:** 2-32 (14-220); **2:** 5-60 (35-414); **3:** 3-20 (21-138); **4:** 5-40 (35-276) or **5:** 7-45 (48-310).

For pump head calculations, the following loss applies for each range: 4.6 ft. or 13.7 kPa (2-32); 11.6 ft. or 34.6 kPa (5-60); 6.9 ft. or 17.9 kPa (3-20); 11.6 ft. or 34.6 kPa (5-40) & 16.2 ft. or 48.4 kPa (7-45).

*gpm increments are 5 gpm for 2-32 & 5-60, 10 gpm for 3-20 & 5-40, 20 gpm for 7-45.

All weights and dimensions are subject to minor changes.

Disclaimer

The products, texts, photographs, graphics and diagrams in this submittal may be subject to alteration by FlowDesign Inc. without prior notice or reason being given.