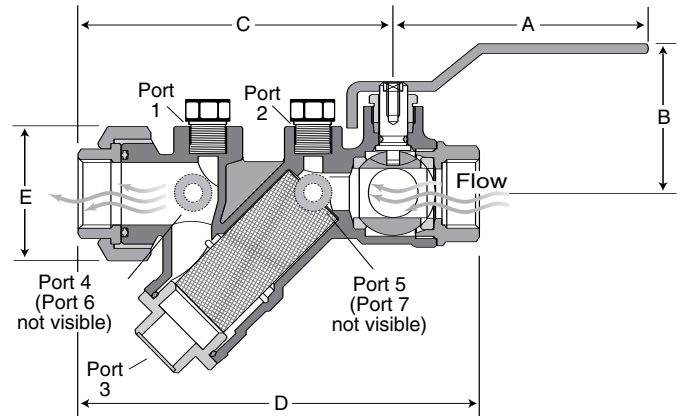


Model YC Shown with optional Pressure / Temperature port and Hose End drain



**Product Information**

**Body:** DZR Brass  
**Strainer:** 20 Mesh Stainless Steel  
**Rating:** 400 psig at 250° F (25 Bar at 120° C)

Combination ball valve, wye strainer and union with seven (7) accessory port locations. 20 mesh stainless steel strainer is removable from the valve body for inspection and cleaning without breaking the main piping. The ball valve has Teflon packing, brass packing nut and blowout-proof stem, large diameter plated ball and a full size steel handle with vinyl grip. The union has a EPDM “o”-ring and tailpiece available in M, F, and S connections. Ball valve end available F or S. One size reduction available for union section. Port 1 available with maximum 1/2” tap for bypass line (option T2).

*Dimensions not to be used for construction unless prints certified by factory.*

**Dimensions**

Model	Size in./ (mm)	A in./ (mm)	B in./ (mm)	C in./ (mm)	D in./ (mm)	E in./ (mm)	F in./ (mm)	Weight lb. (kg)	Cv / (Kv)
YC0050	1/2 (15)	3.9 (99)	2.0 (51)	4.8 (122)	6.2 (157)	2.1 (53)	2.1 (53)	2.0 (0.91)	7.8 (6.7)
YC0075	3/4 (20)	3.9 (99)	2.0 (51)	4.8 (122)	6.2 (157)	2.1 (53)	2.1 (53)	2.0 (0.95)	8.8 (7.6)
YC0100R*	1 (25)	3.9 (99)	2.0 (51)	4.8 (122)	6.2 (157)	2.1 (53)	2.1 (53)	2.0 (0.95)	8.8 (7.6)
YC0100	1 (25)	4.7 (119)	2.6 (66)	6.8 (173)	8.6 (218)	2.8 (71)	2.4 (61)	4.5 (2.04)	19.7 (17.0)
YC0125	1 1/4 (32)	4.7 (119)	2.6 (66)	6.8 (173)	8.6 (218)	2.8 (71)	2.4 (61)	4.6 (2.09)	20.4 (17.6)
YC0150R*	1 1/4 (32)	4.7 (119)	2.6 (66)	6.8 (173)	8.6 (218)	2.8 (71)	2.4 (61)	4.6 (2.09)	20.4 (17.6)
YC0150	1 1/2 (40)	5.5 (140)	3.5 (89)	7.9 (201)	10.0 (254)	3.8 (97)	2.5 (64)	9.3 (4.22)	52.7 (45.4)
YC0200	2 (50)	5.5 (140)	3.5 (89)	7.9 (201)	10.0 (254)	3.8 (97)	2.5 (64)	9.5 (4.31)	55.1 (47.5)

**Notes**

Weights based on F X F connections and will vary with mixed options/connections.  
 Weights and dimensions are subject to minor changes.  
 Cv's based on the body only without flow cartridge.  
 \* Denotes female thread not available on union end  
 See operation manual for Installation and Maintenance F033

**Connections**

Model	Size in./ (mm)	Union Connections (Outlet)* in./ (mm)	Fixed Connections (Inlet) in./ (mm)
YC0050	1/2" (15)	1/2" (15) S, F	3/8 (10) S
			1/2 (15) F. M. S.
			3/4 (20) M. S.
YC0075	3/4" (20)	3/4" (20) S, F	3/8 (10) S
			1/2 (15) F. M. S.
			3/4 (20) F. M. S.
YC0100R	1" (25)	1" (25) S, F	1 (25) M. S.
			1/2 (15) F. M. S.
			3/4 (20) F. M. S.
YC0100	1" (25)	1" (25) S, F	1 (25) M. S.
			1 1/4 (32) M. S.
			1/2 (15) M. S.
YC0125	1 1/4" (32)	1 1/4" (32) S, F	3/4 (20) F. M. S.
			1 (25) F. M. S.
			1 1/4 (32) F. M. S.
YC0150R	1 1/2" (40)	1 1/2" (40) S, F	1 1/4 (32) F. M. S.
			1 1/2 (40) M. S.
			1 (25) F. M. S.
YC0150	1 1/2" (40)	1 1/2" (40) S, F	1 1/4 (32) F. M. S.
			1 1/2 (40) F. M. S.
			2 (50) M. S.
YC0200	2" (50)	2" (50) S, F	1 1/4 (32) F. M. S.
			1 1/2 (40) F. M. S.
			2 (50) F. M. S.

\* Inlet connection if ordering with strainer option      S = female sweat    F = female NPT    M = male NPT

**Model Order Designation**

**Model / Size**  
1" YC Shown

**Options w/ Locations**

Use for options that require specified locations.

*Air Vent in Port 1 and Hose End Drain in Port 3 Shown*

**YC0100 - FS / 3/4S - AV1, HN3 - EH**

**Connections**

Ball valve end first. See specifications for available connections.

*Female Sweat X 3/4" Reduced Female Sweat Shown*

**Options**

Use for options that have specific locations.

*Extended Handle Shown*

**FS** = female sweat    **F** = female NPT    **M** = male NPT

**Options Available**

**AA** Automatic Air Vent

**AV** Manual Air Vent

**EH** Extended Handle

**HN** Hose End Drain Valve with Cap

**MH** Micro Handle 1/2 & 3/4 only

**PI** Plastic ID Tag

**PL** Plug

**SE** Stem Extender

**T2** 1/2" F Tap

**T4** 1/4" F Tap

**XL** Ext. P/T Port

*Various convenience fitting are available*