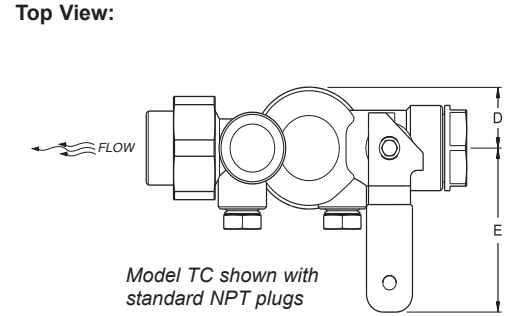
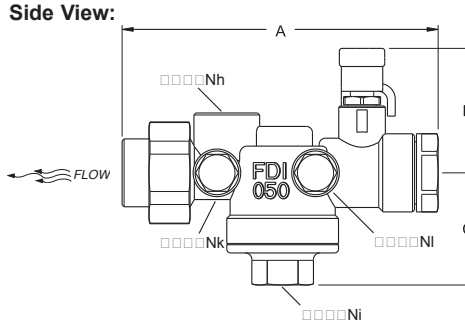




Model TC shown with optional Model HN Hose-end drain valve



Model TC shown with standard NPT plugs

## Product Information

<b>Body:</b>	DZR Brass
<b>Ball and Stem:</b>	316 Stainless Steel
<b>Strainer:</b>	20 Mesh Stainless Steel
<b>Rating:</b>	400 psig at 250° F (25 Bar at 120° C)

Compact, T-shaped combination ball valve, strainer and union with large diameter stainless steel ball, four accessory port locations and a full size steel handle with vinyl grip. The stainless steel stem is blowout proof with PTFE packing and nut. 20 mesh stainless steel strainer is removable from the valve body for inspection and cleaning without breaking the main piping. Port 1 available with maximum 1/2" tap for bypass line (option T2).

*Dimensions not to be used for construction unless prints certified by factory.*

### Dimensions

Model	Size in./ (mm)	A in./ (mm)	B in./ (mm)	C in./ (mm)	D in./ (mm)	E in./ (mm)	Weight lb. (kg)	Cv / (Kv)
TC0050	1/2 (15)	3.7 (94)	2.0 (51)	1.8 (46)	0.9 (23)	2.4 (61)	1.6 (.73)	4.1 / (3.5)
TC0075	3/4 (20)	4.2 (107)	2.0 (51)	1.8 (46)	0.9 (23)	2.4 (61)	1.8 (.82)	4.1 / (3.5)

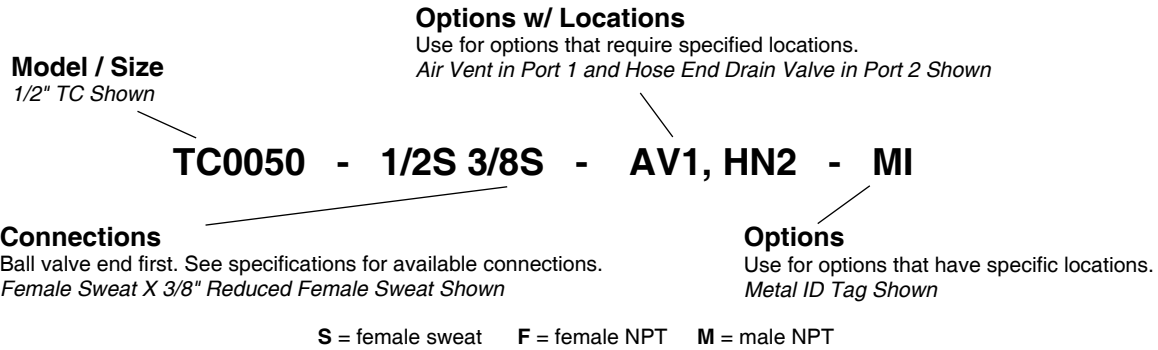
### Notes

Weights based on F X F connections and will vary with mixed options/connections.  
All weights based on valves with NPT plugs. Weights and dimensions are subject to minor changes.  
Cv's based on a clean 20 mesh stainless steel strainer.  
3/4" FPT available only with adapter (Union side)

### Connections

Model	Size	Fixed Connections (Inlet)	Union Connections (Outlet)
TC0050	1/2" (15)	1/2" (15) S, F	3/8" (10) S 1/2" (15) S, F, M
TC0075	3/4" (20)	3/4" (20) S, F	3/4" S, M
S = female sweat    F = female NPT    M = male NPT			

**Model Order Designation**



**Options Available**

- |                              |                          |                           |   |
|------------------------------|--------------------------|---------------------------|---|
| <b>AA</b> Automatic Air Vent | <b>HN</b> Hose End Drain | <b>SE</b> Stem Extender   | <b>XL</b> One Extended P/T Port                   |
| <b>AV</b> Manual Air Vent    | <b>PI</b> Plastic ID Tag | <b>SN</b> Standard Nipple | <i>Various convenience fittings are available</i> |
| <b>EH</b> Extended Handle    | <b>PL</b> Plug           | <b>T2</b> 1/2" Tap        |   |

**Disclaimer:** The products, texts, photographs, graphics and diagrams in this submittal may be subject to alteration by Flow Design Inc. without prior notice or reason being given.