

Automatic Valve

Assembly and Removal Instructions Cartridge and Y-Body Assembly

Components Needed (See figure 1 and 2)

1. Y-Body Valve
2. AutoFlow Flow Regulator Cartridge with External O-ring
3. Cartridge Retaining Clip
4. Cartridge Adapter(s) with External O-ring (if necessary)
5. Retaining Spring (5a) or Retaining Clip (5b) (only one of either is necessary)
6. Y-Body Cap with O-ring

Tools Needed

1. Retaining Clip Tool or Needle Nose Pliers

Assembly Instructions

1. If installation includes a cartridge adapter (4), insert cartridge (2) into the adapter (3) at the side with the larger diameter, moderate force may be required to fully seat the AutoFlow cartridge. Cartridge O-ring should create a snug seal with inside diameter of adapter.

Note: Care should be taken to not apply force on the piston of the Auto Flow cartridge other than by pressing the piston into the Auto Flow cartridge. Side forces may damage it.

2. If installation includes a cartridge adapter (4), install the cartridge retaining clip (3) in the inner clip groove on adapter (4) by pinching the cartridge retaining clip during placement. Cartridge should be firmly held in place in the adapter. Repeat steps 1 & 2 for additional adapters.
3. With the y-body cap (6) removed, install adapter(s) and cartridge in the y-body with cartridge piston facing out until the external o-ring on cartridge adapter is creates a snug seal with inside diameter of y-body.
4. Choose procedure "a" or "b" depending on whether using a retaining spring or clip:
 - a. If using a retaining spring (5a), place spring inside y-body cap
 - b. If using a retaining clip (5b), install retaining clip into the inner y-body groove by pinching the retaining clip during placement. Once this step is completed the cartridge and adapter(s) should be secure from moving out of the y-body.
5. Thread the y-body cap with o-ring (6) onto the y-body valve (1), use of a wrench is acceptable, moderate force is required. Do not overtighten! Do not use glue or sealants! O-ring on y-body cap will create a seal.

Removal Instructions

1. Remove the retaining clip or spring.
2. Pull out the cartridge or adapter/cartridge assembly.

Figure 1. Valve assembly using a retaining spring without adapter.

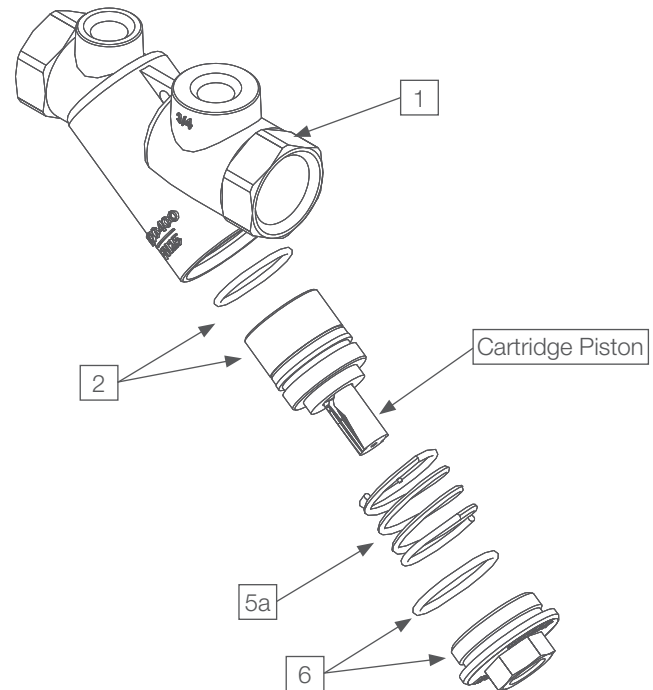


Figure 2. Valve assembly using an adapter and showing the retaining spring or clip that can be used.

